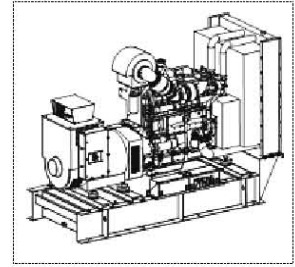


Cummins Diesel Generator

<http://www.ycgenerator.com>



Diesel Generator sets Powered by Cummins



ISO14001



SGS



ISO9001

Scope supply:

- Cummins Diesel Engine with radiator and fan.
- Reliable AC brushless alternator, single bearing.
- Heavy duty steel frame with vibration-damping.
- Base service fuel tank inside skid.
- Lead acid batteries with cable for starter.
- Industrial silencer & flexible exhaust below.
- Mounted Control panel: key start or Digital.

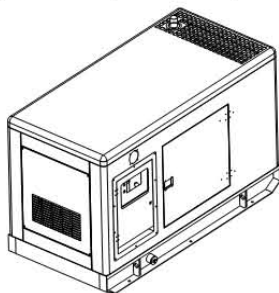
※ Controllers are available for all applications. It contains DeepSea, Smartgen or other famous brands. According to their different functions, the control systems can be specified into key start controller, digital auto-start controller and PCRC three remote control systems. See controller features inside.

CRITERION

- ※ ISO8528, GB/T2820, ISO3046, BS4999, BS5514, BS5000
- ※ EN12601:2001, EN60034-22:1997, EN60204-1:2006
- ※ ISO9001:2000, ISO14001:2004, SGS, TLC

380-415V, 1500RPM, 50HZ, 3phase 4 wire,

Genset Model	Prime power		Standby power		Engine model	Alternator model	Dimension (Open type)	Weight (kg)	L/h @100%
	KW	KVA	KW	KVA					
DK16G	16	20	17.6	22	4BT3.9-G1	PI144E	1800*750*1450	820	5.4
DK20G	20	25	22	27.5	4B3.9-G1	PI144F	1900*750*1450	850	6.5
DK22G	22	27.5	24	30	4B3.9-G2	PI144F	1900*750*1450	850	6.7
DK32G	32	40	35.2	44	4BT3.9-G2	PI142H	1900*750*1450	880	9.3
DK40G	40	50	44	55	4BTA3.9-G2	UCI224D	1980*780*1500	915	11.5
DK48G	48	60	52.8	66	4BTA3.9-G2	UCI224E	1980*780*1500	920	13.1
DK64G	64	80	70.4	88	6BT5.9-G1	UCI224G	2350*830*1550	1250	22
DK80G	80	100	88	110	6BT5.9-G2	UCI274C	2350*830*1550	1250	22
DK100G	100	125	110	137.5	6BTA5.9-G2	UCI274E	2400*850*1600	1450	27
DK110G	110	137.5	120	150	6BTAA5.9-G2	UCI274E	2400*850*1600	1450	27
DK144G	144	180	160	200	6CTA8.3-G2	UCI274G	2500*880*1650	1750	40
DK160G	160	200	176	220	6CTAA8.3-G2	UCI274H	2550*910*1750	1820	45.4
DK172G	172	215	190	238	6CTAA8.3-G2	UCI274J	2550*910*1750	1920	45.4
DK200G	200	250	220	275	6LTAA8.9-G2	UCD274K	2800*1100*1700	2000	53
CK224G	224	280	250	313	NTA855-G1A	HCI444D	3300*1100*1700	3400	61.3
CK256G	256	320	280	350	NTA855-G1B	HCI444ES	3300*1100*1700	3400	71.4
CK280G	280	350	308	385	NTA855-G2A	HCI444E	3350*1100*1700	3450	71.9
CK300G	300	375	330	413	NTAA855-G7	HCI444FS	3500*1200*1750	3800	85.4
CK320G	320	400	360	450	NTAA855-G7A	HCI444F	3500*1200*1750	3850	94
CK360G	360	450	400	500	KTA19-G3	HCI544C	3600*1360*1920	4000	97
CK400G	400	500	450	563	KTA19-G4	HCI544C	3600*1400*2040	4100	107
CK440G	440	550	505	631	KTAA19-G5	HCI544D	3750*1700*2040	4500	113
CK472G	472	590	520	650	KTAA19-G6	HCI544E	3750*1700*2040	4500	113
CK500G	500	625	560	700	KTAA19-G6A	HCI544FS	3780*1700*2040	4700	127.8
CK600G	600	750	660	825	KTA38-G2	LVI634B	4500*1750*2300	7000	167
CK640G	640	800	704	880	KTA38-G2B	HCI634G	4550*1750*2300	7000	181
CK728G	728	910	800	1000	KTA38-G2A	LVI634D	4550*2060*2200	7500	191
CK800G	800	1000	880	1100	KTA38-G5	HCI634J	4600*2060*2200	7600	209
CK900G	900	1125	1000	1250	KTA38-G9	LVI634F	4600*2060*2200	7650	232
CK1000GB	1000	1250	1100	1375	KTAA38-G9A	LVI634G	4700*2100*2320	7950	274
CK1000G	1000	1250	1100	1375	KTA50-G3	LVI634G	5700*2100*2320	9800	254
CK1120G	1120	1400	1340	1675	KTA50-G8	PI734B	5800*2100*2350	10500	289
CK1200G	1200	1500	1340	1675	KTA50-G8	PI734C	5850*2100*2350	10600	295
YK1500G	1500	1875	1650	2063	QSK60-G3	PI734E	5900*2300*2400	16200	
YK1600G	1600	2000	1800	2250	QSK60-G4	PI734F	5900*2300*2400	16500	
YK1800G	1800	2250	2000	2500	QSK60-G8	EG500M-1800N	6000*2300*2750	18100	
YK2400G	2400	3000	2640	3300	QSK78G6	EG560L-2400N	7200*2250*2550	26200	



Shenzhen Yicheong Jichai Power Co., Limited

Add: RunXun Industrial Park, HuanGuan Middle Rd.,

GuanLan, Bao'An Dist, Shenzhen, China

Tel: 0086-755-27638427 Fax: 0086-755-27638460

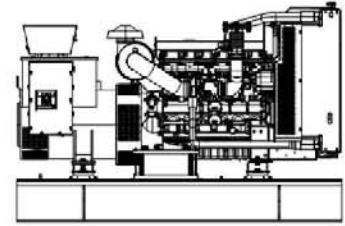
Cel: +86-13723464571; dicconluo@yahoo.com.cn

480V, 1800RPM, 60HZ, 3phase 4 wire,

Genset Model	Prime power		Standby power		Engine model	Alternator model	Dimension	Weight	L/h
	KW	KVA	KW	KVA					
DK24G6	24	30	26.4	33	4B3.9-G1	BCI184E	1950*750*1500	850	7.2
DK35G6	35	44	39	48	4BT3.9-G1	BCI184H	1980*750*1500	950	10.1
DK52G6	52	65	55	69	4BTA3.9-G2	UCI224D	2100*780*1580	1050	13.8
DK90G6	90	113	100	125	6BT5.9-G1	UCI274C	2420*850*1700	1280	24
DK110G6	110	137.5	120	150	6BTA5.9-G2	UCI274D	2450*850*1720	1450	27
DK120G6	120	150	132	165	6BTAA5.9-G2	UCI274E	2480*850*1720	1520	28.5
DK160G6	160	200	176	220	6CTA8.3-G2	UCI274F	2650*900*1720	1700	42.6
DK180G6	180	225	200	250	6CTAA8.3-G2	UCI274G	2680*900*1720	1750	44
DK220G6	220	275	240	300	6LTAA8.9-G2	UCDI274J	2800*1050*1750	1980	56
CK250G6	250	312.5	280	350	NTA855-G1	UCDI274K	2750*1100*1600	2460	66
CK280G6	280	350	308	385	NTA855-G1B	HCI444D	3300*1100*1700	3350	74.5
CK300G6	300	375	330	413	NTA855-G3	HCI444D	3420*1150*1720	3600	79
CK352G6	352	440	388	485	KTA19-G2	HCI444E	3600*1350*1920	4100	92
CK400G6	400	500	440	550	KTA19-G3	HCI444F	3600*1400*1920	4150	99
CK450G6	450	563	500	625	KTA19-G4	HCI544C	3600*1400*1900	4100	112
CK475G6	470	588	550	688	KTAA19-G5	HCI544D	3720*1540*1960	4800	117
CK550G6	550	687.5	600	750	KTAA19-G6A	HCI544E	3780*1640*2040	4600	134
CK600G6	600	750	660	825	KT38-G	HCI544F	4400*1720*2300	6650	155
CK725G6	725	906	800	1000	KTA38-G2	LVI634C	4550*1750*2300	6950	183
CK800G6	800	1000	880	1100	KTA38-G2A	LVI634D	4600*2000*2500	7200	201
CK900G6	900	1125	1000	1250	KTA38-G4	LVI634E	4700*2000*2500	7600	229
CK1000G6	1000	1250	1100	1375	KTA38-G9	LVI634F	4900*2000*2500	7800	252
CK1120G6	1120	1400	1232	1540	KTA50-G3	LVI634G	5700*2100*2320	9800	285
CK1360G6	1360	1700	1500	1875	KTA50-G9	PI734B	5800*2100*2350	10500	318



Perkins Diesel Generator



ENGINE SPECIFICATION



Perkins®



UK Perkins Benefits

Power to Meet your needs: Hitting the key power nodes, provide a clean & cost effective power solution.

State of Art Design: Common-rail fuel system, high power density, low exhaust emissions with the minimum of heat rejection and excellent fuel economy.

World-class Product Support: Network of 4000 distributors and service outlets, easy specify & order part online guides and service tools.

Long-term Power Solution: Designed to fully comply with EU Stage II emissions regulations, providing an emissions compliant power solution for the future.

ALTERNATOR (Reliable)

Voltage regulation

Voltage regulation maintained with in $\pm 0.5\%$ as follow:

- Power factor between 0.8-1.0 lagging.
- From no load to full load, any steady load.
- Speed droop variation under 5%.

Frequency/Speed undulation

- 0-100% load, Frequency/Speed Droop Ratio $< 5\%$.
- 25-100% load, any steady load undulation $< 0.25\%$.

Effect factor of telecom

- TIF(MAMG1-22) < 50 ; THF(BS EN60034) $< 2\%$

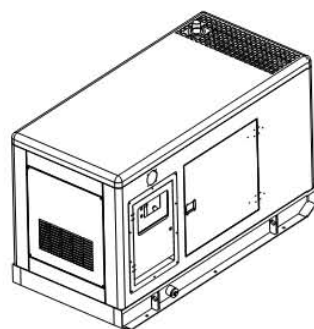
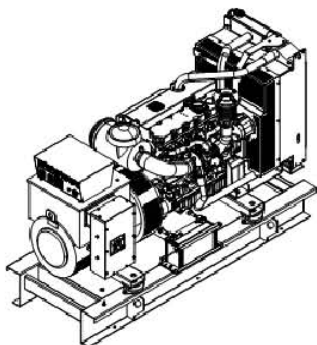
The 2/3 pitch design avoids excessive neutral currents. With the 2/3 pitch and carefully selected pole and tooth designs, ensures very low waveform distortion.

Brushless alternator with pilot exciter for excellent load response. Class H insulation, easy parallelling with mains or other generators, standard 2/3 pitch stator windings avoid excessive neutral currents.

Backed by worldwide service network.

50HZ, 1500RPM, 220-415V,

Genset Model	Prime power		Standby power		Engine Model	Alternator model		Dimension (L*W*H mm)	Weight (kgs)
	KW	KVA	KW	KVA		Leroy Somer	Marathon		
YP7G	7.2	9	8	10	403D-11G	LSA40VS1	GM-8.6-4	1565*730*1200	360
YP10G	10	13	11	14	403D-15G	LSA40VS2	GM-12-4	1565*730*1200	430
YP16G	16	20	17.6	22	404D-22G	LSA40M5	GM-16-4	1590*730*1245	500
YP24G	24	30	26.4	33	1103A-33G	LSA42.2L9	GM-24-4	1740*730*1565	760
YP36G	36	45	40	50	1103A-33TG1	LSA43.2S25	MP-40-4	2030*730*1565	870
YP48G	48	60	52.8	66	1103A-33TG2	LSA43.2M45	MP-48-4	2030*730*1565	890
YP52G	52	65	57.2	72	1104A-44TG1	LSA43.2L65	MP-58-4	2135*730*1595	980
YP64G	64	80	70.4	88	1104A-44TG2	LSA43.2L8	MP-64-4	2135*730*1595	1020
YP80G	80	100	88	110	1104C-44TAG2	LSA44.2VS45	MP-80-4	2235*730*1595	1090
YP100G	100	125	110	138	1006TAG	LSA44.2S75	MP-104-4	2565*730*1575	1380
YP120G	120	150	132	165	1106C-E66TAG3	LSA44.2M95	MP-120-4	2645*730*1630	1540
YP144G	144	180	160	200	1106C-E66TAG4	LSA46.2M3	MP-140-4	2645*730*1630	1650
YP160G	160	200	176	220	1306C-E87TAG3	LSA46.2M5	MP-160-4	3035*900*1525	1700
YP180G	180	225	200	250	1306C-E87TAG4	LSA46.2L6	MP-180-4	3035*900*1525	1700
YP200G	200	250	220	275	1306C-E87TAG6	LSA46.2L6	MP-200-4	3035*900*1525	2050
YP240G	240	300	264	330	2206C-E13TAG2	LSA46.2VL12	MP-240-4	3500*1105*1960	3400
YP260G	260	325	286	358		LSA47.2VS1	MP-260-4	3500*1105*1960	3450
YP280G	280	350	308	385		LSA47.2VS1	MP-280-4	3500*1105*1960	3460
YP320G	320	400	360	450	2206C-E13TAG3	LSA47.2S4	MP-320-4	3500*1105*1960	3500
YP364G	364	455	400	500	2506C-E15TAG1	LSA47.2S5	MP-400-4AS	3935*1150*2080	3600
YP400G	400	500	440	550	2506C-E15TAG2	LSA47.2M7	MX-400-4AS	3935*1150*2080	3700
YP480G	480	600	528	660	2806C-E18TAG1A	LSA47.2L9	MX-480-4	3690*1535*2100	4100
YP520G	520	650	560	700	2806C-E18TAG2	LSA49.1S4	MX-560-4	3690*1535*2100	4500
YP580G	580	725	640	800	4006-23TAG2A	LSA49.1M6	MX-600-4	4450*1650*2290	5400
YP640G	640	800	720	900	4006-23TAG3A	LSA49.1M75	MX-700-4	4450*1710*2290	5500
YP750G	750	938	825	1030	4008TAG2A	LSA50.2S3	MX-750-4	4860*2050*2550	7500
YP800G	800	1000	880	1100		LSA50.2S3	MX-850-4	4700*2045*2475	7650
YP1000G	1000	1250	1100	1375	4012-46TWG2A	LSA50.2M6	MX-1030-4	5220*2130*2600	9250
YP1080G	1080	1350	1188	1485	4012-46TWG3A	LSA50.2L7	MX-1240-4	5220*2130*2600	9500
YP1200G	1200	1500	1320	1650	4012-46TAG2A	LSA50.2L8	MX-1240-4	5220*2130*2600	9750
YP1320G	1320	1650	1456	1820	4012-46TAG3A	LSA50.2VL10	MX-1350-4	5370*2130*2600	10000
YP1440G	1440	1800	1584	1980	4016TAG1A	LSA51.2S55	MX-1540-4	5670*2800*3520	13200
YP1600G	1600	2000	1760	2200	4016TAG2A	LSA51.2M60	MX-1800-4	5670*2800*3520	13500
YP1800G	1800	2250	2000	2500	4016-61TRG3	LSA51.2VL85	MX-1800-4	6150*2800*3520	13700



Shenzhen Yicheong Jichai Power Co., Limited

Add: RunXun Industrial Park, HuanGuan Middle Rd.,

GuanLan, Bao'An Dist, Shenzhen, China

Tel: 0086-755-27638427 Fax: 0086-755-27638460

Cel: +86-13723464571, dicconluo@yahoo.com.cn



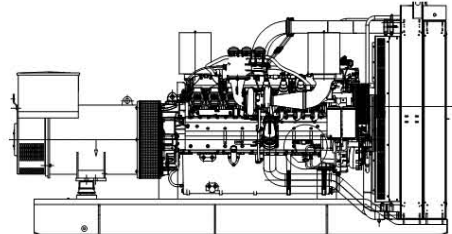



208-240V, 440-480V, 1800RPM, 60HZ, 3 phase 4 wire

Genset Model	Prime power		Standby power		Engine Model	Alternator model		Dimension (L*W*H mm)	Weight (kgs)
	KW	KVA	KW	KVA		Leroy Somer	Marathon		
YP10G6	10	12.5	11	14	403D-11G	LSA40VS1	GM-8.1-4	1565*730*1200	350
YP12G6	12	15	13.2	17	403D-15G	LSA40VS2	GM-13-4	1565*730*1200	430
YP20G6	20	25	22	27.5	404D-22G	LSA40M5	GM-18-4	1700*730*1245	500
YP25G6	25	31	28	35	404D-22TG	LSA42.2M7	GM-24-4	1700*730*1245	540
YP27G6	27	34	30	37	1103C-33G1	LSA42.2M7	GM-28-4	1700*730*1245	580
YP40G6	40	50	44	55	1104C-44G2	LSA43.2S15	GM-40-4	2100*730*1595	740
YP56G6	56	70	60	75	1104C-44TG1	LSA43.2M45	MP-60-4	2100*730*1595	740
YP72G6	72	90	79	99	1104C-44TAG1	LSA43.2L8	MP-70-4	2100*730*1595	760
YP90G6	90	113	100	125	1104C-44TAG2	LSA44.2VS3	MP-90-4	2100*730*1595	760
YP96G6	96	120	106	132	1006TG2A	LSA44.2VS45	MP-105-4	2645*730*1500	1600
YP120G6	120	150	132	165	1006TAG	LSA44.2S7	MP-135-4	2645*730*1500	1600
YP135G6	135	169	149	186	1106D-E66TAG3	LSA44.2S75	MP-135-4	2430*1110*2060	1520
YP156G6	156	195	172	215	1106D-E66TAG4	LSA44.2L12	MP-151-4	2430*1110*2060	1900
YP180G6	180	225	200	250	1306C-E87TAG3	LSA46.2M3	MP-180-4	3035*1000*1710	1670
YP200G6	200	250	220	275	1306C-E87TAG4	LSA46.2M5	MP-211-4	3035*1000*1710	1670
YP300G6	300	375	330	413	2206D-E13TAG2	LSA46.2VL12	MP-300-4A	3500*1105*1960	3370
YP350G6	350	438	385	481	2206D-E13TAG3	LSA47.2VS2	MP-375-4A	3500*1105*1960	3400
YP400G6	400	500	440	550	2506D-E15TAG1	LSA47.2S4	MP-403-4A	3935*1150*2080	3600
YP456G6	456	570	500	625	2506D-E15TAG3	LSA47.2S5	MX-475-4	3935*1150*2080	3700
YP552G6	552	690	608	760	2506C-E15TAG4	LSA47.2M8	MX-560-4	3690*1150*2080	3850
YP1344G6	1344	1680	1478	1848	4012-46TAG3A	LSA50.2L7	MX-1240-4	5780*2800*3520	13450

MTU Diesel Generator

<http://www.ycgenerator.com>



ENGINE (Industrial Powerful)

The history of MTU can be traced back to the 18th century of mechanical times. Following its good traditions, MTU comes out top among manufacturers of engines in the world owing to its unexampled advanced technology. The high quality of MTU engines is identical with the concept of reliably, advanced technology, high-class performance, environmental consciousness and long service life which is put forward by Yicheong.

Benefit:

- Top running capacity with unexampled advanced technology.
- Low fuel consumption. PLD with electrical injection system.
- Engines meet all relevant exhaust emission standards.
- High performance, long maintenance intervals & service life.

Specifications may change without notice.



ALTERNATOR (Reliable)

Voltage regulation

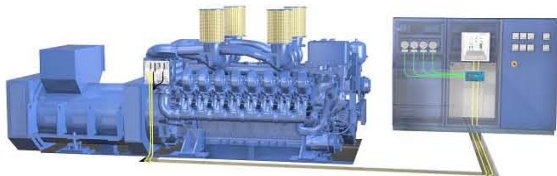
Voltage regulation maintained with in $\pm 0.5\%$ as follow:

- Power factor between 0.8-1.0 lagging.
- From no load to full load, any steady load.
- Speed droop variation under 5%.

ADEC(Advanced Diesel Engine Controller):

Multi-Functions:

- Controlling engine,
- Monitoring operating status,
- Controlling the injection quality and engine speed,
- Indication of faulty operation (Display, SAM, Dialog Unit),
- Communication with other electronic components via CAN, with ESCM system (Engine Site Condition Management).



Frequency/Speed undulation

- 0-100% load, Frequency/Speed Droop Ratio <5%.
- 25-100% load, any steady load undulation <0.25%.

Effect factor of telecom

- TIF(MAMG1-22)<50; THF(BS EN60034) < 2%

The 2/3 pitch design avoids excessive neutral currents. With the 2/3 pitch and carefully selected pole and tooth designs, ensures very low waveform distortion.

Brushless alternator with pilot exciter for excellent load response.

Class H insulation, easy paralleling with mains or other generators, standard 2/3 pitch stator windings avoid excessive neutral currents.

Backed by worldwide service network.

CONTROL SYSTEM

1.Standard: MRS-16 (Czech ComAp), LCD

Providing the standard functions as follows:

- ※ Start/Stop controller, Emergency stop pushbutton
- ※ Ampere/Volt meter and selector switch/Frequency meter/Water temperature gauge/Oil pressure gauge/Hour counter/Battery voltage meter
- ※ Alarm: Over speed, High Engine Temperature, Low Oil Pressure.
- ※ Protection System: Over speed, High Engine Temperature, Low Oil Pressure, Emergency Stop. And the other protection function presetting.

2.Option:Deep Sea DES7320 Digital Auto Start (AMF) (Option assembled with the ATS)

It can carry out auto-switching between the outer power and generating set power.

Functions:

- ※ Automatic Start/Stop, Engine monitoring and protection
- ※ 3 start attempts failure and Automatic Crank Disconnect
- ※ Parameters display(V/A/Hz/Hour),Running hour counting
- ※ Charge alternator exciting and Charge alternator fail alarm
- ※ Settings can be adjustable via key buttons on front panel

Shutdown:

- ※ Loss of Speed Signal
- ※ Alternator Under/Over Voltage
- ※ Alternator Under/Over Frequency
- ※ Mains Under/Over Voltage
- ※ Mains Under/Over Frequency
- ※ Under/Over Speed
- ※ Low Oil Pressure
- ※ High Engine Temperature

Warning:

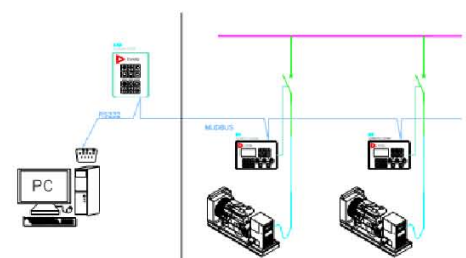
- ※ Alternator Under/Over Voltage
- ※ Alternator Under/Over Frequency
- ※ Mains Under/Over Voltage
- ※ Mains Under/Over Frequency
- ※ Under/Over Speed
- ※ Low Oil Pressure Pre-Alarm
- ※ High Engine Temp. Pre-Alarm
- ※ High/Low Battery Voltage
- ※ Over-current
- ※ Periodic maintenance



MRS-16



DSE7320



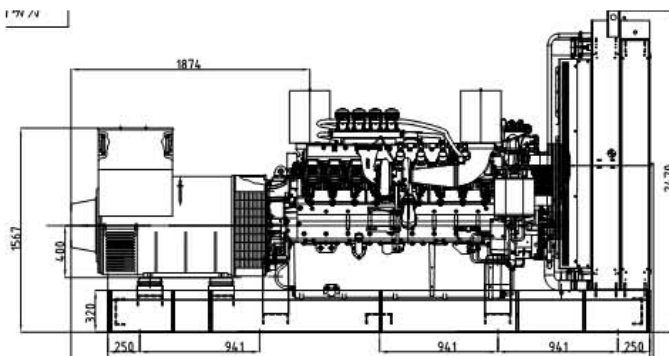
Paralleling System

380-415V, 1500RPM, 50HZ, 3phase 4 wire,

Genset Model	Prime power		Standby power		MTU Engine Model	Alternator model	Dimension (L*W*H mm)
	KW	KVA	KW	KVA			
JM220G	220	275	242	303	6R1600G10F	LSA46.2L9	2800*1150*1450
JM250G	250	313	275	344	6R1600G20F	LSA46.2VL12	2900*1150*1450
JM300G	300	375	330	413	8V1600G10F	LSA47.2VS2	2980*1150*1450
JM320G	320	400	352	440	8V1600G20F	LSA47.2S4	3040*1350*1760
JM360G	360	450	400	500	10V1600G10F	LSA47.2S5	3220*1350*1760
JM400G	400	500	440	550	10V1600G20F	LSA47.2M7	3320*1350*1760
JM480G	480	600	528	660	12V1600G10F	LSA47.2L9	3400*1350*1760
JM520G	520	650	572	715	12V1600G20F	LSA49.1S4	3400*1350*1760
JM520G	520	650	572	715	12V2000G25	LSA49.1S4	4200*1600*2250
JM640G	640	800	704	880	12V2000G65	LSA49.1M75	4200*1600*2250
JM728G	728	910	800	1000	16V2000G25	LSA49.1L10	4500*1800*2300
JM800G	800	1000	880	1100	16V2000G65	LSA50.2S3	4500*1800*2300
JM908G	908	1135	1000	1250	18V2000G65	LSA50.2M6	4700*1900*2350
JM1000G	1000	1250	1100	1375	12V4000G21R	LSA50.2M6	6150*2150*2400
JM1120G	1120	1400	1232	1540	12V4000G23R	LSA50.2L8	6150*2150*2400
JM1300G	1300	1625	1420	1775	12V4000G23	LSA50.2V10	6200*2150*2400
JM1450G	1450	1812	1600	2000	12V4000G63	LSA51.2S55	6200*2150*2400
JM1640G	1640	2050	1800	2250	16V4000G23	LSA51.2L70	6500*2600*2800
JM1800G	1800	2250	2000	2500	16V4000G63	LSA51.2VL85	6600*2600*2800
JM2000G	2000	2500	2200	2750	20V4000G23	LSA51.2VL90	7600*2600*3000
JM2200G	2200	2750	2400	3000	20V4000G63	EG560S-2200N	7600*2600*3000
JM2400G	2400	3000	2640	3300	20V4000G63L	EG560M-2400N	7600*2600*3000

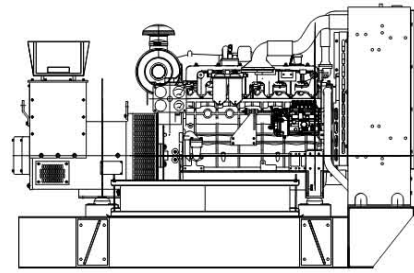
380-480V, 1800RPM, 60HZ, 3phase 4 wire,

JM640G6	640	800	704	880	12V2000G45	LSA49.1 S4	4200*1650*2280
JM730G6	730	913	803	1004	12V2000G85	LSA49.1 M75	4200*1650*2280
JM800G6	800	1000	880	1100	16V2000G45	LSA49.1 L9	4500*2000*2300
JM900G6	900	1125	990	1238	16V2000G85	HCI634H	4500*2000*2300
JM1040G6	1040	1300	1144	1430	18V2000G85	LSA50.2 S4	4750*2000*2380
JM1344G6	1344	1680	1480	1850	12V4000G43	LSA50.2 L7	6150*2150*2400
JM1600G6	1600	2000	1760	2200	12V4000G83	LSA50.2 VL10	6150*2150*2400
JM1800G6	1800	2250	1980	2475	16V4000G43	PI734E	6500*2600*2500
JM2000G6	2000	2500	2200	2750	16V4000G83	LSA51.2 L70	6550*2600*2500
JM2200G6	2200	2750	2420	3025	20V4000G43	PI734G	7600*2600*3000



Shenzhen Yicheong Jichai Power Co., Limited
 Add: RunXun Industrial Park, HuanGuan Middle Rd.,
 GuanLan, Bao'An Dist, Shenzhen, China
 Tel: 0086-755-27638427 Fax: 0086-755-27638460
 Cel: +86-13723464571 dicconluo@yahoo.com.cn

Yuchai Diesel Generator



Scope supply:

- Yuchai Diesel Engine with radiator and fan.
- Reliable AC brushless alternator, single bearing.
- Heavy duty steel frame with vibration-damping.
- Base service fuel tank.
- Lead acid batteries with cable for starter.
- Industrial silencer & flexible exhaust below.
- Mounted Control panel mounted.

Engine (Powerful & Stable)

Compact Engine, light weight, strong power, long time service

- World named brand in the line of Engine, invested by USA.
- Heavy duty & durable 4-stroke water cooled industrial engine, stable running, longer service time.
- Fuel injection pump, low consumption.
- 4-cy, 6-cy in line, Light weight, compact structure.
- Turbocharged intercooler, naturally aspirated.
- Air/fuel/oil filters, start motor, battery charging alternator 24VDC, tool kits box, manual booklet & certificate.

CRITERION

- ※ ISO8528, GB/T2820, ISO3046, BS4999, BS5514, BS5000
- ※ EN12601:2001, EN60034-22:1997, EN60204-1:2006
- ※ ISO9001:2000, ISO14001:2004, SGS, TLC

ALTERNATOR (Reliable)

Voltage regulation

Voltage regulation maintained with in $\pm 0.5\%$ as follow:

- Power factor between 0.8-1.0 lagging.
- From no load to full load, any steady load.
- Speed droop variation under 5%.

Frequency/Speed undulation

- 0-100% load, Frequency/Speed Droop Ratio $< 5\%$.
- 25-100% load, any steady load undulation $< 0.25\%$.

Effect factor of telecom

- TIF(MAMG1-22) < 50 ; THF(BS EN60034) $< 2\%$

The 2/3 pitch design avoids excessive neutral currents. With the 2/3 pitch and carefully selected pole and tooth designs, ensures very low waveform distortion.

Brushless alternator with brushless pilot exciter for excellent load response.

The insulation system is class H, easy paralleling with mains or other generators, standard 2/3 pitch stator windings avoid excessive neutral currents.

Backed by worldwide service network.

CONTROL SYSTEM

1. Standard: HGM170HC Key Start

Providing the standard functions as follows:

(Also can be made according to the customers' special requirements)

- ※ Start/Stop controller, Emergency stop pushbutton
- ※ Ampere meter, Voltmeter and selector switch, Frequency meter/Water temperature gauge/Oil pressure gauge/Hour counter/Battery voltage meter.
- ※ Alarm System: Over speed, High Engine Temperature, Low Oil Pressure, Charge Failure
- ※ Protection System: Over speed, High Engine Temperature, Low Oil Pressure, Emergency Stop. And the other protection function presetting.



HGM170HC

2. Option: Smartgen HGM6110 Digital Auto Start

3. Option: Smartgen HGM6120 Digital Auto Start (AMF) (Option assembled with the ATS)

Digital Auto-start Generator controller integrating digital, intelligent and network techniques is used for automatic control system of diesel generator. It can carry out functions including automatic start/stop, data measure and alarming. Optionally assembled with the ATS, it can carry out auto-switching between the outer power and generating set power. (AMF)



HGM6110



HGM6120

Functions:

- ※ Automatic Start/Stop
- ※ 3 start attempts failure and Automatic Crank Disconnect
- ※ Parameters display (V/A/Hz/Hour)
- ※ Engine monitoring and protection
- ※ Charge alternator exciting and Charge alternator fail alarm
- ※ Running hour counting
- ※ Settings can be adjustable via key buttons on front panel

Warning:

- ※ Alternator Under/Over Voltage
- ※ Alternator Under/Over Frequency
- ※ Mains Under/Over Voltage
- ※ Mains Under/Over Frequency
- ※ Under/Over Speed
- ※ Low Oil Pressure Pre-Alarm
- ※ High Engine Temp. Pre-Alarm
- ※ High/Low Battery Voltage
- ※ Over-current
- ※ Periodic maintenance

Shutdown:

- ※ Loss of Speed Signal
- ※ Alternator Under/Over Voltage
- ※ Alternator Under/Over Frequency
- ※ Mains Under/Over Voltage
- ※ Mains Under/Over Frequency
- ※ Under/Over Speed
- ※ Low Oil Pressure
- ※ High Engine Temperature



Standard Control Panel



Shenzhen Yicheong Jichai Power Co., Limited
 Add: RunXun Industrial Park, HuanGuan Middle Rd.,
 GuanLan, Bao'An Dist, Shenzhen, China
 Tel: 0086-755-27638427 Fax: 0086-755-27638460
 Cel: +86-13723464571, dicconluo@yahoo.com.cn

50hz, 1500rpm, 380-415V

Genset Model	Prime power		Standby		Engine model	Alternator model	Dimension (L*W*H mm)		Fuel L/h
	KW	KVA	KW	KVA			Open type	Super silent	
YC12G	12	15	13.2	16.5	YC2108D	GM-12-4	1350*750*1200	1900*1000*1500	4.2
YC14G	14.4	18	16	20	YC2108D	GM-16-4	1350*750*1200	1900*1000*1500	4.7
YC20G	20	25	22	27.5	YC2115D	GM-20-4	1380*750*1200	1900*1000*1500	6.3
YC24G	24	30	26.4	33	YC2115ZD	GM-24-4	1450*750*1200	1950*1000*1500	7.5
YC32G	32	40	35.2	44	YC4D60-D21	GM-32-4	1900*780*1300	2500*1000*1550	8.9
YC36G	36	45	40	50	YC4D60-D21	MP-40-4	1900*780*1300	2500*1000*1550	9.4
YC40G	40	50	44	55	YC4D85Z-D20	MP-40-4	1950*800*1350	2550*1020*1550	11.2
YC48G	48	60	52.8	66	YC4D85Z-D20	MP-48-4	1950*800*1350	2550*1020*1550	11.8
YC64G	64	80	70.4	88	YC6B100-D20	MP-64-4	2300*800*1380	2900*1080*1650	18
YC72G	72	90	80	100	YC6B135Z-D20	MP-70-4	2350*800*1380	2950*1100*1650	20.5
YC80G	80	100	88	110	YC6B135Z-D20	MP-80-4	2350*800*1380	2950*1100*1650	21
YC90G	90	112.5	100	125	YC6B155L-D21	MP-90-4	2480*820*1380	3000*1120*1650	22.6
YC100G	100	125	110	138	YC6B170L-D20	MP-104-4	2600*820*1380	3250*1120*1650	25
YC110G	110	137.5	120	150	YC6B170L-D20	MP-120-4	2620*820*1380	3250*1120*1650	26.1
YC120G	120	150	132	165	YC6A210L-D20	MP-120-4	2650*950*1500	3300*1150*1680	28.4
YC128G	128	160	140	175	YC6A210L-D20	MP-140-4	2650*950*1500	3300*1150*1680	29.2
YC160G	160	200	176	220	YC6M285L-D20	MP-160-4	2800*950*1500	3600*1250*1700	34
YC180G	180	225	200	250	YC6M285L-D20	MP-180-4	2800*950*1500	3600*1250*1700	41
YC200G	200	250	220	275	YC6M350L-D20	MP-200-4	3000*1100*1750	3900*1400*1800	46
YC220G	220	275	240	300	YC6M350L-D20	MP-220-4	3000*1100*1750	3900*1400*1800	53
YC240G	240	300	264	330	YC6MK390L-D20	MP-240-4	3200*1150*1800	4000*1400*1850	68
YC300G	300	375	330	412.5	YC6T550L-D21	MP-300-4	3450*1250*1800	4200*1450*1850	70
YC320G	320	400	352	440	YC6T550L-D21	MP-320-4	3450*1250*1800	4300*1450*1900	72
YC360G	360	450	400	500	YC6T600L-D20	MP-350-4	3500*1250*1800	4600*1450*1900	90
YC400G	440	500	440	550	YC6T660L-D20	MP-400-4	3650*1400*1950	4800*1600*2000	98
YC500G	500	625	550	687.5	YC6C900L-D20	EG355L-500N	4200*1500*2100		116
YC560G	560	700	616	770	YC6C900L-D20	MX-560-4	4200*1500*2100		128
YC600G	600	750	660	825	YC6C1020L-D20	MX-600-4	4400*1550*2100		140
YC640G	640	800	704	880	YC6C1020L-D20	EG400S-640N	4400*1550*2100		152

60hz, 1800rpm, 208V, 440V, 480V

YC36G6	36	45	40	50	YC4D60-D21	GM-31-4	1800*760*1200	2450*1000*1550	9.2
YC40G6	40	50	44	55	YC4D60-D21	GM-39-4	1800*760*1200	2450*1000*1550	10.6
YC50G6	50	62.5	55	69	YC4D75Z-D20	MP-45-4	1850*760*1200	2500*1000*1550	12.4
YC60G6	60	75	66	82.5	YC4D90Z-D20	MP-58-4	1950*800*1200	2550*1050*1600	13.8
YC70G6	70	88	77	96	YC6B105-D10	MP-68-4	2300*820*1300	2900*1080*1650	18.9
YC80G6	80	100	88	110	YC6B120Z-D20	MP-84-4	2350*820*1300	2950*1100*1650	19.6
YC100G6	100	125	110	137.5	YC6B145L-D20	MP-102-4	2350*820*1300	2950*1100*1650	23
YC120G6	120	150	132	165	YC6B185L-D20	MP-130-4	2600*850*1350	3250*1120*1650	26
YC145G6	145	181	160	200	YC6A225L-D20	MP-151-4	2650*850*1350	3300*1150*1680	31
YC180G6	180	225	200	250	YC6M285L-D20	MP-177-4	2900*1100*1800	3800*1400*1800	44
YC200G6	200	250	220	275	YC6M320L-D21	MP-200-4	3000*1100*1800	3900*1400*1800	47
YC212G6	212	265	232	290	YC6M320L-D21	MP-212-4	3000*1100*1800	3900*1400*1800	50